

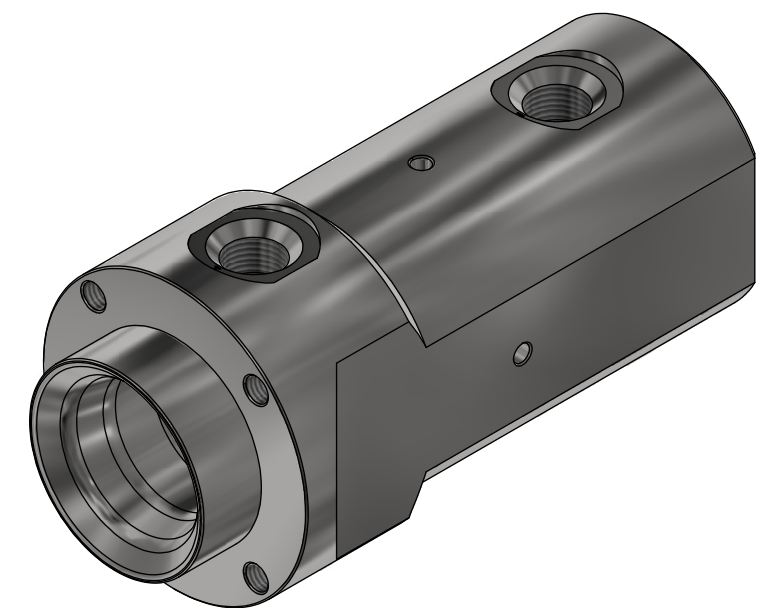
NOTE: 1
 DESIGN CODE:
 API 17H Type 2

NOTE: 2
 TECHNICAL CLASSIFICATION:
 Article Type: 001-Hot Stabs
 Main Group: 1.02. Ø35/Ø43 Hot Stab
 Intermediate Group: 1.3.02. Receptacle
 Sub Group: 1.3.10.02. Dual

NOTE: 3
 INTERFACE INFORMATION:
 Pressure Rating Bar: 690
 Material: S32750 SUPER DUPLEX
 Weight: 6,5 kg
 Volume: 0,83 dm³
 Surface Area: 962 cm²
 Hydraulic: BSP 1/2"
 Mechanical: 4xM10@PCD 86
 Electrical: N/A
 Com. & Protocol: N/A

NOTE: 4
 WEB LINK:
<http://e-sea.bluelogic.no/main.aspx?page=article&artno=BA3975>

NOTE: 5
 ADDITIONAL INFORMATION:
 Other hydraulic port interface can be delivered on customers request.



| Rev. | Date | Reason for issue | Revision change | Made | Chk'd | Appr. |
|------|------------|---------------------------------|-----------------|------|-------|-------|
| 03 | 21.12.2016 | 9-IFU (Issued for Use) | | HNJ | WTJ | HNJ |
| 02 | 12.5.2014 | 9-IFU (Issued for Use) | | WTJ | HNJ | WTJ |
| 01 | 9.9.2013 | 7-IFC (Issued for Construction) | | HNJ | LAE | HNJ |



| | |
|-------------|-----|
| Dwg Scale: | NTS |
| Dwg Proj: | |
| Dwg Format: | A3 |

| | | |
|-----------------|------------------------------------|---------|
| Drawing title: | Ø35/Ø43 DP Rec 10k Interv BSP 1/2" | |
| Drawing number: | BA3975 | Rev: 03 |